

SECTION 7 PARTS LIST

IT. No.	PART No.	DESCRIPTION	QUANTITY
1	PM1189	CASE	1
2	PC3094	CHASSIS	1
3	PM1240	GEARMOTOR	1
4	PS1612	HUB SUPPORT	1
5	PP4670	HUB	1
6	PS1618	CONTACTOR BRACKET	1
7	MC10209	CONTACTOR	1
8	PS1627	BUS-BAR INPUT	1
9	PS1630	BUS-BAR OUTPUT	1
10	MM04279	GAS HOSE	1
11	PA1064	CAPACITOR, INSULATOR	1
12	MC10885	ELECTROLITIC CAPACITOR	2
13	PA0936	CAPACITOR, CLAMP	1
14	PA0957	CAPACITOR, INSULATOR	3
15	MC10895	ELECTROLITIC CAPACITOR	1
16	PA0941	CAPACITOR, CLAMP	1
17	PP3600	GEARMOTOR INSULATOR PLATE	1
18	MS03964	STRAIN RELIEF	1
19	MV01050	SOLENOID VALVE	1
20	PT1071	RETAINING NUT FOR SOLENOID VALVE	1
21	MP08335	RECTIFIER, BRIDGE	1
22	MT08758	CURRENT TRANSDUCER	1
23	MT08503	THERMOSTAT	2
24	PT3836	CIRCUIT CARD, CONTROL	1
25	PA1056	GEARMOTOR INSULATOR	1
26	126693	WORK CLAMP AND LEAD	1
27	PC2137	EURO CONNECTOR	1
28	PT3387	COVER, COMPONENTS	1
29	PP3591	PLATE, INNER CONTROLS	1
30	MR09816	THERMAL CIRCUIT BREAKER	1
31	MI01227	SWITCH DPDT	4
32	PT2569	BACK COVER	1
33	PT3078	CIRCUIT CARD, DIGITAL METER	1
34	MP02512	POTENTIOMETER	1
35	PF0929	FRONT	1
36	MI01281	SWITCH DPDT	2
37	MI01178	SWITCH SPST	1
38	MP08416	KNOB	1
39	PA0928	MALE INSULATOR	6
40	PA0929	FEMALE ISOLATOR	8
41	PS1634	MOTORGear SEPARATOR	1
42	PS1636	MOTORGear SEPARATOR	1
43	MS03965	SCREW GROMMENT	14
44	PC1864	WELD CABLE	1
45	PT3835	VOLTAGE SELECTOR CARD	1
46	PR1182	VALVE REINFORCEMENT	1
47	PR1184	CHASSIS REINFORCEMENT	2
48	PS2195	FRAME SUPPORT	1
49	MM04451	DISPLAY FRAME	1
50	LC-40HD	WELD LEAD CONNECTION	1
51	PP3602	CABLE HOLDER	1
52	PC3248	GEARED MOTOR BRACKET	1

LIST 7-1 Part List Wire Feeder

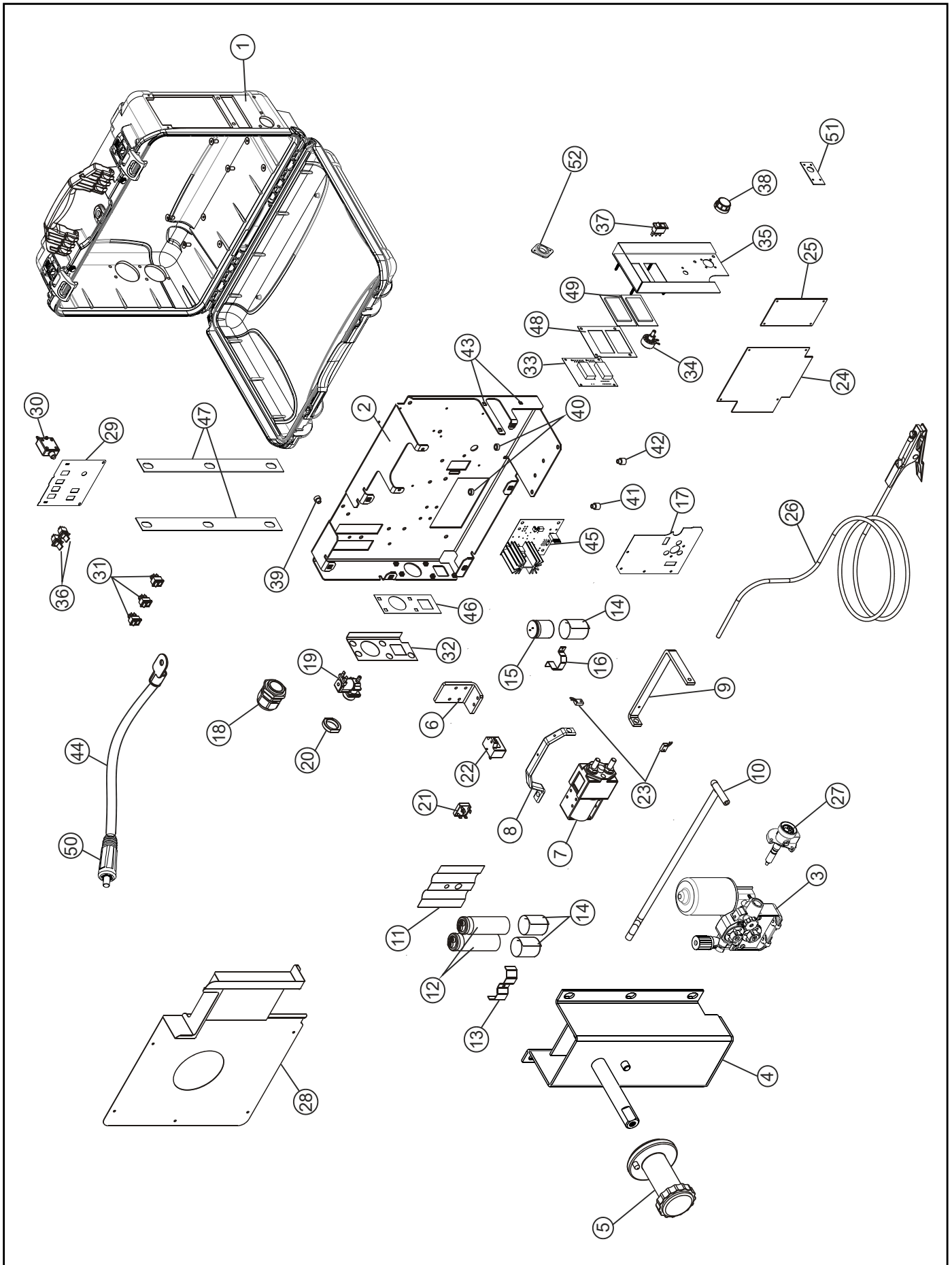


FIGURE 7-1 General Assembly

LIST 7-2 Wire drive and gear

IT. No	PART No.	DESCRIPTION	QUANTITY
1	PB2303	Feed plate with groove	1
2	MB06011R	Arm compl (With central gear)	1
3	MF02408R	Shaft	1
4	MB06013R	Wire pressure knob	1
5	ME02417R	Drive gear	1
6	-----	Roll (Ask to your distributor)	2
7	MG02226R	Inlet guide tube	1
8	PP4429	Fix knob (Gun loking tab)	1
9	MT08685R	Fix bolt	1
10	PS2098	Gun loking tab	1
11	ME02451	Moving arm central gear	1

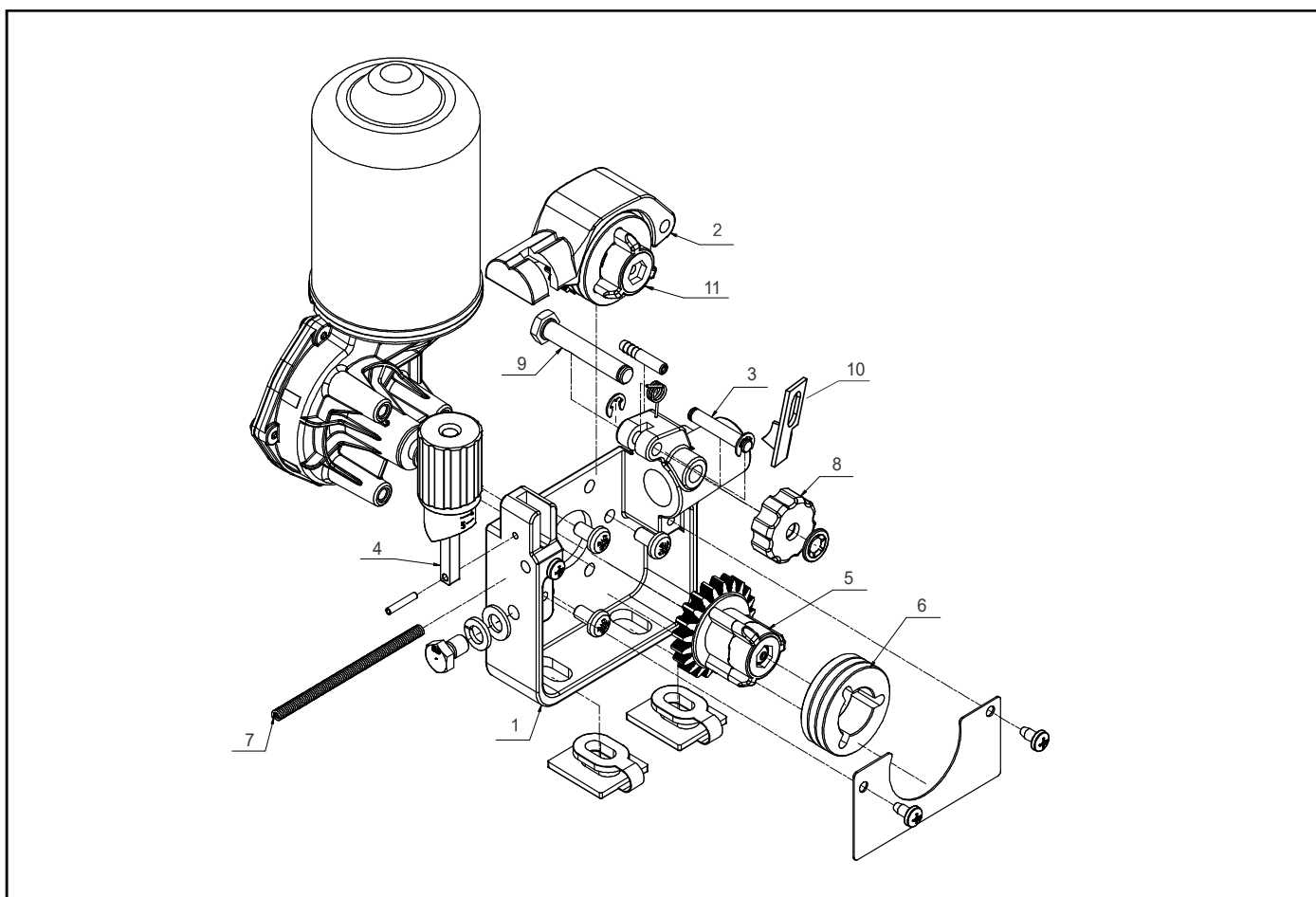


FIGURE 7-3 Wire drive and gear